



720P AHD Colour Mobile Box Camera

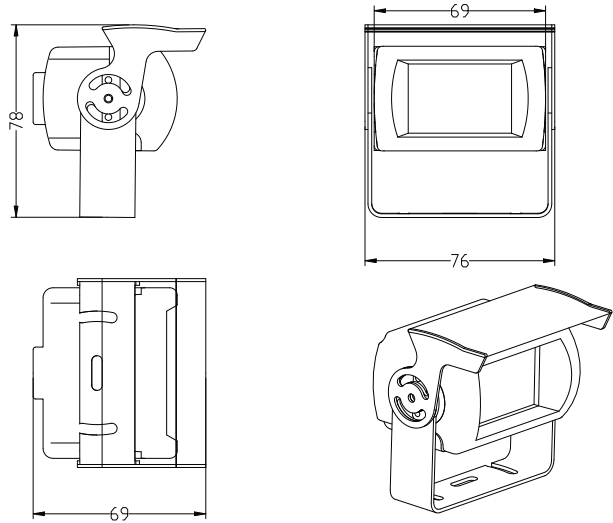
Model No.:PA AC 5881 AHD

720P AHD Colour Mobile Box Camera

Model: PA AC 5881 AHD
 Analog AHD, 1.3Mega Pixel, 12V DC



Dimensions:



Features:

- Metal-cased mobile box with fixed lens.
- Available in black finish.
- Low power consumption.
- Easy installation on ceiling or wall, surface or flush mount.
- IP67 waterproof.

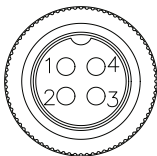
Packing list:

Camera	1
Instruction Manual	1
Self Drilling Screw	2
Hex-key	1

Operation procedures:

1. Loosen the lock screws on the sun shield, remove the mounting bracket to the suitable position.
2. Attach the mounting bracket to the wall or ceiling, wherever you want to install the camera. Locate a wall stud or ceiling joint and secure the base by the supplied mounting screws.
3. Connect the cable to DC12V power input and video output.
4. Fix the lock screw.

Cable Connection:



- 1---12VDC (+)
 2---12VDC/GND (-)
 3---N/A
 4---Video

Specifications:

Model	PA AC 5881 AHD
Pick up Device	1/3" CMOS AR0130
TV System	PAL/NTSC (Optional)
Picture Elements	1280 (H) x 960 (V)
Sensitivity	0 Lux (IR LED On)
Scanning System	Progressive scan RGB CMOS
Synchronization	Internal
S/N Ratio	More than 44dB(AGC Off)
Auto Gain Control (AGC)	Auto
Electronic Shutter	Auto
Back Light Compensation	Auto
Infrared Spectrum	850 nm
Infrared LED	18 LEDs
Mirror	Available
ICR	Available
Noise Redution	3D
Dynamic range	83.5 dB
Video Output	1 Vp-p, 75 Ω ,AHD
Audio Output	Optional
Lens	f2.8mm Megapixel
Pan Adjusting	N/A
Tilt Adjusting	0-60 Degree
Power Supply	9-18V DC
Power Consumption	180mA
Dimensions (L X W X H)	L69 x W76 x H78 mm
Net Weight	285g
Weatherproof	IP67
Operating Temperature	-30~ +70 ° C

**Specifications are subject to change without prior notice.*